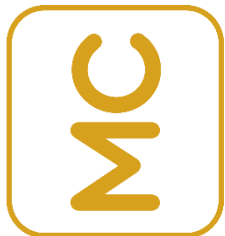




Milano
Componenti



Pressure switches

WE CONTROL THE FLOWS



PRESSURE SWITCHES

Pressure switches are two-stage devices that commutate a contact when certain air or fluid pressures are reached. The **Milano Componenti** one, two and three-level adjustable electromechanical pressure switches stand out for their high reliability.

APPLICATIONS

Milano Componenti pressure switches are used in control systems in general, and in the domestic appliance sector in particular, for controlling the water level in machines. They can also perform anti-overflow and resistance protection functions.

OPERATION AND MOUNTING

The moving part of adjustable electromechanical pressure switches, formed by a disc membrane, operates a snap-action changeover contact, which can be duly set to the required pressure level. Pressure switches can be snap-fitted on the sheet metal or plastic mounting panel perforated according to the template, or secured by a 3.5 mm self-tapping screw in a mounting hole on a bracket supplied by the client.

MATERIALS

- Body in self-extinguishing glass-fibre reinforced polyamide PA 66, flame retardant up to 850°C (Glow Wire test)
- Silver-plated brass terminals
- CuBe (beryllium copper alloy) movable contact strip
- Silver-alloy contact.



TECHNICAL SPECIFICATIONS

MAIN CONTACTS

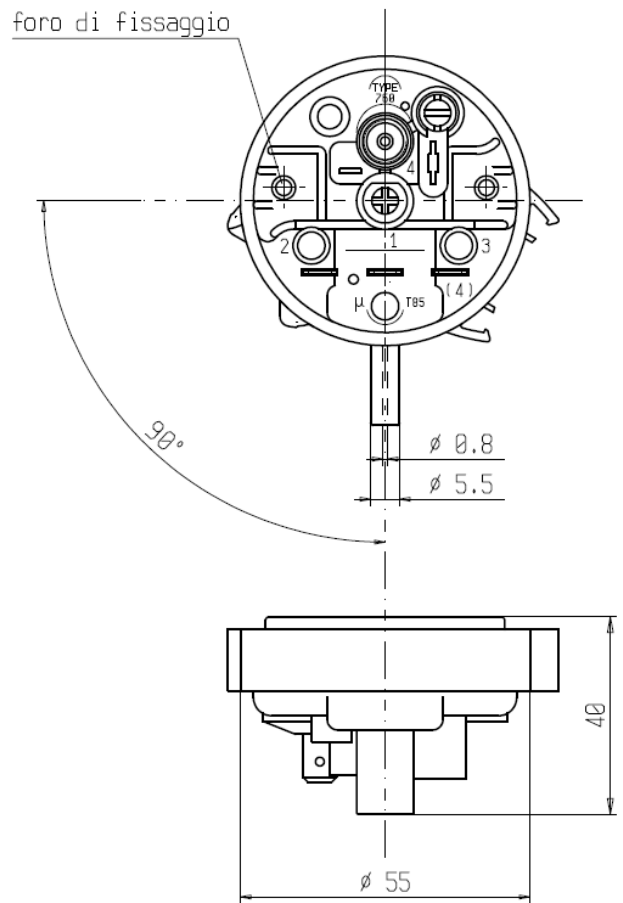
| | |
|----------------------|----------|
| Max working voltage: | 250 V AC |
| Resistive current: | 16 A |
| Motor current: | 4 A |

ANTI-OVERFLOW CONTACT

| | |
|----------------------|----------|
| Max working voltage: | 250 V AC |
| Resistive current: | 16 A |
| Motor current: | 1 A |

RESISTANCE-PROTECTION CONTACT

| | |
|---|----------------------|
| Max working voltage: | 250 V AC |
| Resistive current: | 0,1 A |
| Frequency: | 50 / 60 Hz |
| Duty type: | Frequent |
| Contact gap: | $u (< 3 \text{ mm})$ |
| Max pressure: | 5000 PA |
| Max operating temperature: | 85° C |
| Dielectric strength of terminals and support: | >2.75 kV (1 min) |



ELECTRONIC VERSION

SPECIFICATIONS

| | |
|--|---------|
| Max working voltage | 5 V |
| Rated resistive current | 5 mA |
| Insulating resistance between terminals and support: | > 50 mA |

SPECIAL SERIES PRESSURE SWITCHES - HIGH-PRESSURE (BRASS)

TECHNICAL DATA

| | |
|----------------------|-------------------------------|
| Mounting: | Brass |
| Thread: | 1/8 – 1/4 |
| Cover: | Thermo polymer PET |
| Membrane: | AISI 316 e Silicone |
| Protection class: | IP00 |
| Adjustment: | By screw |
| Electrical contacts: | 10 (2) -250VA |
| Connections: | Faston terminals 6,3 x 0,8 mm |
| Ambient temperature: | T 125 ° C |



| RANGE OF ADJUSTMENT | TEST PRESSURE | FIXED DIFFERENTIAL |
|---------------------|---------------|--------------------|
| 0,2 ÷ 1,2 bar | 4 bar | 0,3 ± 0,15 bar |
| 1 ÷ 2,5 bar | 5 bar | 0,3 ± 0,15 bar |
| 1,5 ÷ 4 bar | 6 bar | 0,35 ± 0,15 bar |
| 2 ÷ 6 bar | 8 bar | 0,35 ± 0,2 bar |

